

# Frame Information

## J Series



Standard Style JA



Snap-in Mounting JB



Rocker Style JC



Sealed Toggle JE

Eaton's J Series is one of the most versatile breakers offered in the Heinemann product line. The J Series can be used in a wide variety of applications including telecom, rail, marine and mobile equipment. Multiple mounting and handle configurations allow you to customize your equipment. These include rocker handles, snap-in mounting, sealed toggle actuators and color-coded handles.

### Compact Size

The J Series breakers are small and lightweight, saving valuable space in crowded control panels or weight in portable equipment. Since the J Series is magnetically actuated, the breaker generates minimal heat, and breakers can be mounted in densely packed panels with no effect on performance.

### Easy Installation

The J Series is designed for fast, easy panel mounting. Its round bezel eliminates square cuts during panel fabrication, and shortens panel production time. Cutout preparation is as simple as punching or drilling three common-center holes per breaker.

### Terminals

The J Series is ready to accept either standard push-on or screw terminal connections.

### Accessories

Available with integral auxiliary switches, shunt and relay trip options, as well as a variety of external accessories including protective shields and adapter plates.

### Global Ready

The J Series is ready for your global applications. In addition to UL 1077, the breaker also carries CSA and IEC 380 approvals.

### Harsh Environments

In areas where the breaker may be subjected to water spray or splashing, the J Series is available in a sealed mounting version. Utilizing a molded silicone rubber seal, the exposed handle is protected from the elements when used in conjunction with a sealed panel. For areas requiring a completely sealed breaker, the J Series is also available in a UL 1500 Ignition-Protected Construction. Please refer to the Special Application section of this brochure.

### Stock Availability

Standard breaker configurations are available from our regional distribution centers or from one of our 2,300 distributor locations worldwide.

### Standard Breaker Configurations

The J Series can be ordered in a number of standard configurations utilizing the table to the right. Once you create your catalog number, you can contact our Technical Resource Center for verification and quotations.

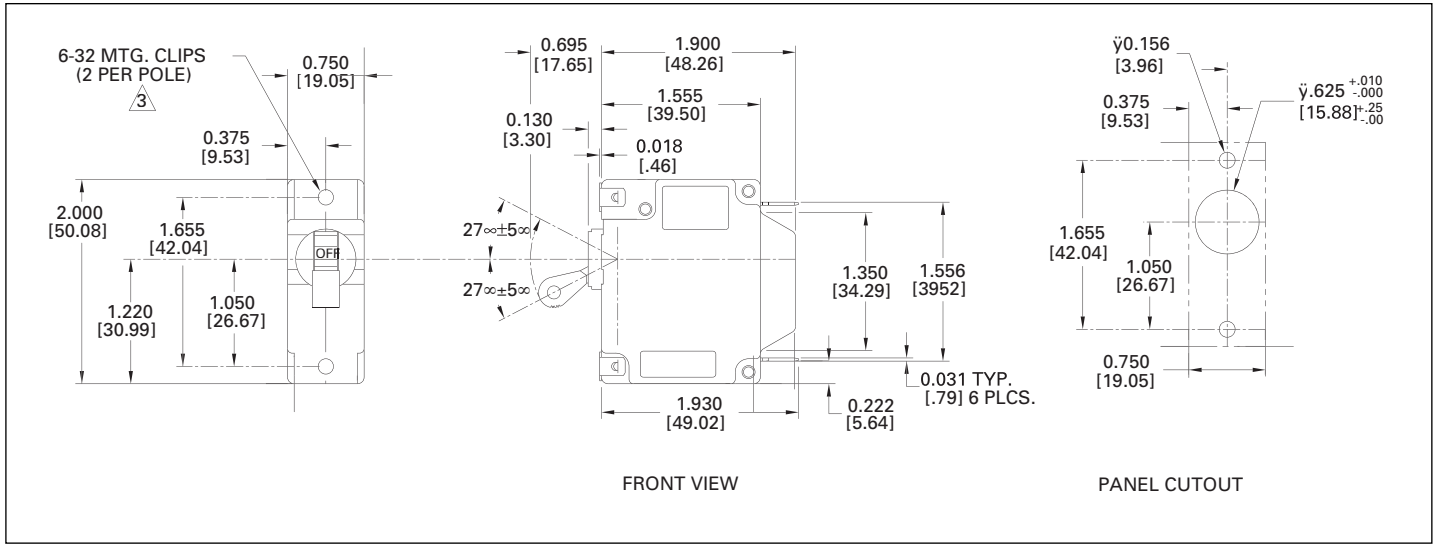
### Custom Applications

The J Series is also available in a number of custom configurations to meet your specific application needs. To order a special application breaker, you can visit our Web site at [www.EatonElectrical.com/heinemann](http://www.EatonElectrical.com/heinemann) for a list of custom modifications and information on how to obtain a proprietary catalog number. You may also contact the Technical Resource Center for application information and breaker selection assistance.

### Standard Product Offering 250 Vac/65 Vdc Push-on Terminals

POLES	CURRENT	CURVE	CATALOG NUMBER
1	1 A	2	JA1SD3A000102E
1	1 A	3	JA1SD3A000103E
1	2.5 A	2	JA1SD3A02R502E
1	2.5 A	3	JA1SD3A02R503E
1	5 A	2	JA1SD3A000502E
1	5 A	3	JA1SD3A000503E
1	7.5 A	2	JA1SD3A07R502E
1	7.5 A	3	JA1SD3A07R503E
1	10 A	2	JA1SD3A001002E
1	10 A	3	JA1SD3A001003E
1	15 A	2	JA1SD3A001502E
1	15 A	3	JA1SD3A001503E
1	20 A	2	JA1SD3A002002E
1	20 A	3	JA1SD3A002003E
1	25 A	2	JA1SD3A002502E
1	25 A	3	JA1SD3A002503E
1	30 A	2	JA1SD3A003002E
1	30 A	3	JA1SD3A003003E
2	1 A	2	JA2SD3A000102E
2	1 A	3	JA2SD3A000103E
2	2.5 A	2	JA2SD3A02R502E
2	2.5 A	3	JA2SD3A02R503E
2	5 A	2	JA2SD3A000502E
2	5 A	3	JA2SD3A000503E
2	7.5 A	2	JA2SD3A07R502E
2	7.5 A	3	JA2SD3A07R503E
2	10 A	2	JA2SD3A001002E
2	10 A	3	JA2SD3A001003E
2	15 A	2	JA2SD3A001502E
2	15 A	3	JA2SD3A001503E
2	20 A	2	JA2SD3A002002E
2	20 A	3	JA2SD3A002003E
2	25 A	2	JA2SD3A002502E
2	25 A	3	JA2SD3A002503E
2	30 A	2	JA2SD3A003002E
2	30 A	3	JA2SD3A003003E
3	1 A	2	JA3SD3A000102E
3	1 A	3	JA3SD3A000103E
3	2.5 A	2	JA3SD3A02R502E
3	2.5 A	3	JA3SD3A02R503E
3	5 A	2	JA3SD3A000502E
3	5 A	3	JA3SD3A000503E
3	7.5 A	2	JA3SD3A07R502E
3	7.5 A	3	JA3SD3A07R503E
3	10 A	2	JA3SD3A001002E
3	10 A	3	JA3SD3A001003E
3	15 A	2	JA3SD3A001502E
3	15 A	3	JA3SD3A001503E
3	20 A	2	JA3SD3A002002E
3	20 A	3	JA3SD3A002003E
3	25 A	2	JA3SD3A002502E
3	25 A	3	JA3SD3A002503E
3	30 A	2	JA3SD3A003002E
3	30 A	3	JA3SD3A003003E

**BASIC DIMENSIONS**



**J SERIES CATALOG NUMBERING SYSTEM**

**JA1S A 3 A 0015 01 E**

Style ①	Number of Poles	Description	Handle Color	Mounting
JA_S	1 to 4	Toggle Handle	White ON/OFF	6-32
JB_S	1 to 4	Snap-in Mount	White ON/OFF	N/A
JC_S	1 to 4	Rocker Handle	White ON/OFF	6-32
JE_S	1 to 3	Sealed Toggle	N/A	3/8-32

Voltage, Terminal and Frequency Code			
Code	Frequency	Terminal Location	Maximum Voltage
A	50/60 Hz	Push-on	277 ac
T	50/60 Hz	8-32 Screw	277 ac
K	50/60 Hz	10-32 Screw	277 ac
B	dc	Push-on	65 dc
V	dc	8-32 Screw	65 dc
L	dc	10-32 Screw	65 dc
D	60 Hz/dc	Push-on	250 ac/65 dc
E	60 Hz/dc	8-32 Screw	250 ac/65 dc
R	60 Hz/dc	10-32 Screw	250 ac/65 dc
C	400 Hz	Push-on	250 ac
W	400 Hz	8-32 Screw	250 ac
N	400 Hz	10-32 Screw	250 ac

Approval Code				
A = Up to 250 Vac UL 1077 Up to 65 Vdc UL 1077 L = 277 Vac UL 1077				

Internal Circuit Type and Inrush Catalog Code				
N/A	STD	18X	25X	Internal Circuit
0	—	—	—	Switch Only
—	3	8	38	Series Trip
—	2	9	39	Series Trip w/Aux.
—	5	—	—	Shunt/Tap
—	6	—	—	Relay Trip

Current Rating ②	
Code	Current (Amperes)
0R02	0.02
0R10	0.10
0R25	0.25
0R50	0.50
0R75	0.75
0001	1
02R5	2.5
0005	5
07R5	7.5
0010	10
0015	15
0020	20
0025	25
0030	30
0040	40
0050	50

Voltage Rating	
E = 0 – 250 Vac	
F = 251– 277 Vac	
G = 415 Vac ③	
N = 0 – 65 Vdc	

Time Delay Curve	
0P = Instant	
01 = Long Delay Std. Inrush	
02 = Medium Delay Std. Inrush	
03 = Short Delay Std. Inrush	
10 = Long Delay 18X Inrush	
20 = Medium Delay 18X Inrush	
30 = Short Delay 18X Inrush	
251 = Long Delay 25X Inrush	
252 = Medium Delay 25X Inrush	
253 = Short Delay 25X Inrush	

① Choose style and select from 1 to 4 poles, and enter the number in position 3 of the catalog number. For example, a JA1S would identify a 1-pole JA Series breaker.  
 ② Enter the four digit current rating. For example, use code "0015" for a 15 ampere current rating. For fractional amperages, use an "R" to designate the decimal point. For 0.10 ampere, enter the code "0R10."  
 ③ Non-standard. Consult technical support 1-800-356-1243.