

# Frame Information

## C Series



CD Rear Connection Front Mounting



CF Front Connected Back Panel Mounting

Eaton's Heinemann C Series breakers incorporate the benefits of hydraulic-magnetic technology in a familiar molded case design. The C Series is popular in outdoor locations, in either high temperature or low temperature environments where nuisance tripping might have been a problem in the past.

The C Series is built for a wide range of applications, and is one of the most versatile designs. From heating and air conditioning to modern railcars, the C Series breaker is built for the most demanding industrial applications.

Due to its rugged construction, the C Series is UL listed through 240 Vac or 125 Vdc. The breaker also carries ratings up to 600 Vac as a UL Recognized Device under UL 508.

With the precision overcurrent protection provided by the C Series, many manufacturers have been able to extend their warranties and deliver more reliability to their customers. Popular in the HVAC market, the C Series delivers true equipment protection, ensuring OEMs that their equipment will be safe in any environment.

Available in a wide range of mounting options, the C Series breaker can be ordered as either a front or back connected device.

### Features

#### Environmental, Vibration and Shock Resistant

Mil-spec qualification for fungus resistance, humidity, salt spray resistance and shock vibration resistance.

#### Heat-Induced Nuisance Tripping Eliminated

The protector is designed to "hold in" at 100% continuous rated current, regardless of ambient temperatures from -40°C +85°C.

#### Immediate Reset After Trip

The protector can be reset (closed) immediately after an overcurrent trip without a "cooling off" period.

#### 1/2 Cycle High Inrush Tolerance — 8X (standard) and 25x

The protector is available with different levels of tolerance to 1/2 cycle current spikes. Standard tolerance is 8X the continuous current rating; in addition, 25X is also available.

#### Overcurrent Curves, Long, Medium or Short Delay

Time characteristic curves are available as Short, Medium and Long Delay.

#### Integral Auxiliary Switch (Optional Selection)

One auxiliary switch (a or b) can be factory installed per pole. A separate pole for auxiliary is NOT required. Contact Eaton for price adder.

#### Precise Overcurrent Calibration

The protector can be precisely calibrated to a wide variety of current ratings, from 0.1 to 100 continuous amperes.

#### Standards and Certifications

UL 1077/UL 489 and CSA 22.2.

#### Standard Catalog Numbers

Standard C Series breakers are UL listed for applications at 240 volts or less, and are built with mechanical lugs for cable connection. All breakers are panel mount, cable in/out design.

#### Standard Breaker Configurations

The C Series can be ordered in a number of standard configurations utilizing the tables to the right. Once you create your catalog number, you can contact our Technical Resource Center for verification and quotations.

#### Custom Applications

The C Series is also available in a number of custom configurations to meet your specific application needs. To order a special application breaker, you can visit our Web site at [www.EatonElectrical.com/heinemann](http://www.EatonElectrical.com/heinemann) for a list of custom modifications and information on how to obtain a proprietary catalog number. You may also contact the Technical Resource Center for application information and breaker selection assistance.

### Standard Product Offering

CF Standard Breakers are configured for ac circuits, back panel mounting, and cable in/cable out. Standard breakers are configured for ac circuits, rear connection.

POLES	CURRENT	CURVE	CATALOG NUMBER
1	15 A	2	CD1A3U001502A
1	15 A	3	CD1A3U001503A
1	20 A	2	CD1A3U002002A

1	20 A	3	CD1A3U002003A
1	30 A	2	CD1A3U003002A
1	30 A	3	CD1A3U003003A

2	15 A	2	CD2A3U001502A
2	15 A	3	CD2A3U001503A
2	20 A	2	CD2A3U002002A

2	20 A	3	CD2A3U002003A
2	30 A	2	CD2A3U003002A
2	30 A	3	CD2A3U003003A

3	15 A	2	CD3A3U001502A
3	15 A	3	CD3A3U001503A
3	20 A	2	CD3A3U002002A

3	20 A	3	CD3A3U002003A
3	30 A	2	CD3A3U003002A
3	30 A	3	CD3A3U003003A

3	50 A	3	CD3A3U005002A
3	50 A	2	CD3A3U005003A
3	60 A	3	CD3A3U006002A

3	60 A	2	CD3A3U006003A
3	100 A	3	CD3A3U010002A
3	100 A	2	CD3A3U010003A

POLES	CURRENT	CURVE	CATALOG NUMBER
1	15 A	2	CF1G3U001502A
1	15 A	3	CF1G3U001503A
1	20 A	2	CF1G3U002002A

1	20 A	3	CF1G3U002003A
1	30 A	2	CF1G3U003002A
1	30 A	3	CF1G3U003003A

2	15 A	2	CF2G3U001502A
2	15 A	3	CF2G3U001503A
2	20 A	2	CF2G3U002002A

2	20 A	3	CF2G3U002003A
2	30 A	2	CF2G3U003002A
2	30 A	3	CF2G3U003003A

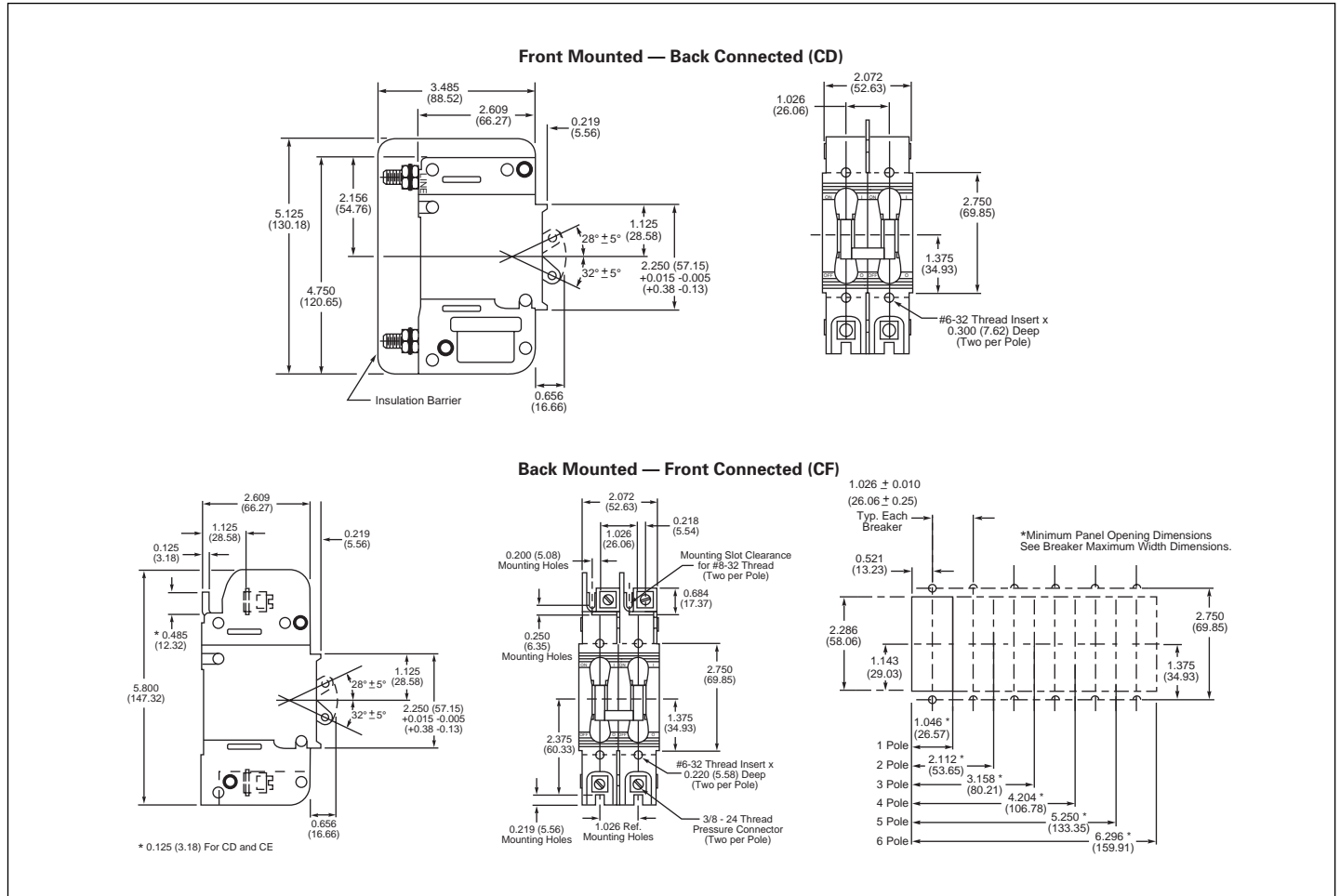
3	15 A	2	CF3G3U001502A
3	15 A	3	CF3G3U001503A
3	20 A	2	CF3G3U002002A

3	20 A	3	CF3G3U002003A
3	30 A	2	CF3G3U003002A
3	30 A	3	CF3G3U003003A

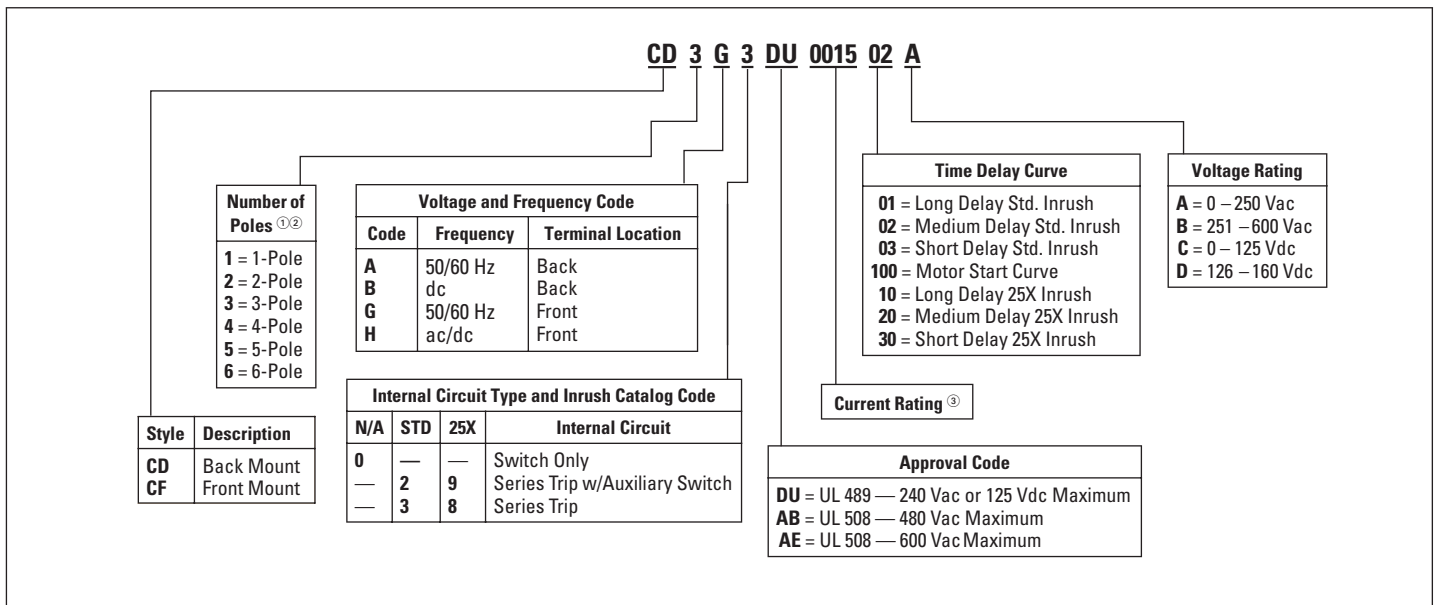
3	50 A	3	CF3G3U005002A
3	50 A	2	CF3G3U005003A
3	60 A	3	CF3G3U006002A

3	60 A	2	CF3G3U006003A
3	100 A	3	CF3G3U010002A
3	100 A	2	CF3G3U010003A

**TYPICAL DIMENSIONS**



**C SERIES CATALOG NUMBERING SYSTEM**



- ① Select from 1 to 6 poles, and enter the number in position 3 of the catalog number. For example, a CD3 would identify a 3-pole C Series breaker.
- ② Style includes Toggle Handle with Black ON/OFF handle color.
- ③ Enter the four digit current rating. For example, use code "0015" for a 15 ampere current rating. For fractional amperages use an "R" to designate the decimal point. For 0.10 ampere, enter the code "0R10." Available from 0.10 – 50 amperes.