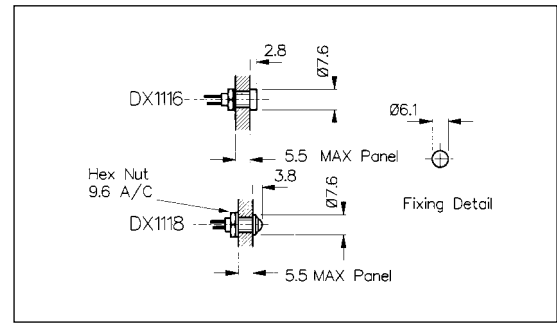


## 4mm LED Indicators

### CHROME PLATED BRASS BEZEL



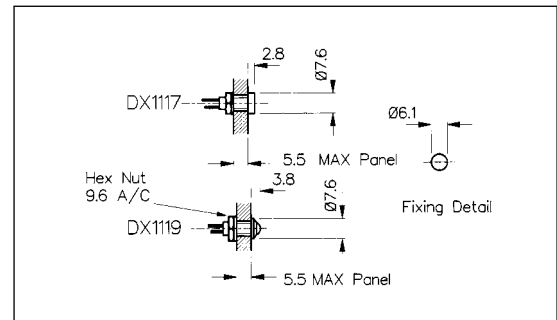
- Chrome Plated Brass Bezel
- Prominent or Recessed Style
- Choice of LED Types and Colours



### BLACK NICKEL PLATED BRASS BEZEL



- Black Nickel Plated Brass Bezel
- Prominent or Recessed Style
- Choice of LED Types and Colours

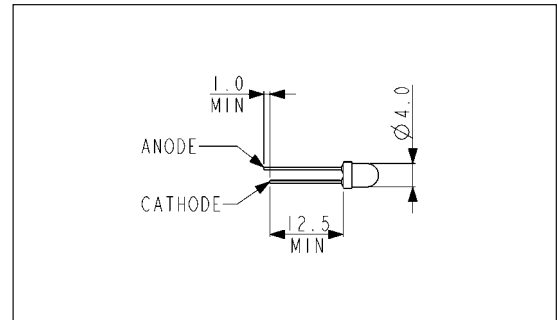


Specification	DX1116, DX1118/Colour	DX1117, DX1119/Colour
Bezel Materials:	Brass, Chrome Plated	Brass, Nickel Plated - Black
Style:	Recessed (DX1116) Prominent (DX1118)	Recessed (DX1117) Prominent (DX1119)
Operating Temp. Range:	Dependent on LED used	Dependent on LED used
Storage Temperature:	Dependent on LED used	Dependent on LED used
Lead Solder Time:	260°C for 5 seconds max.	260°C for 5 seconds max.
LED Colours:	/RD (Red), /GN (Green), /YL (Yellow), /BL (Blue)	/RD (Red), /GN (Green), /YL (Yellow), /BL (Blue)
<b>RoHS</b>	Compliant	Compliant
	See Page 176 for LED specifications	

## 4mm LED options

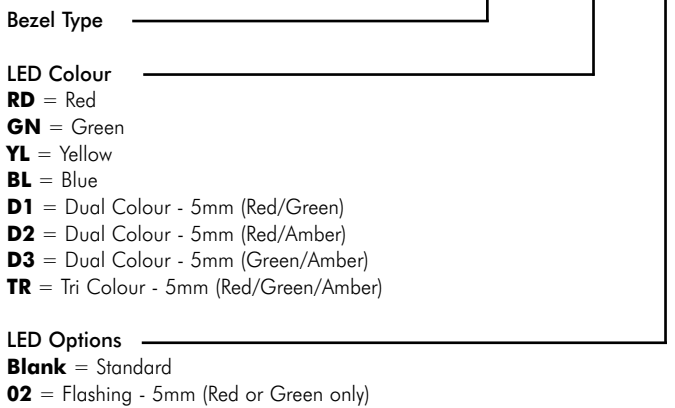
### 4mm LEDs STANDARD

Specification	Red	Green	Yellow	Blue
Luminous Intensity @10mA:	2.5mcd	2.5mcd	2.5mcd	50mcd
Forward voltage:	2.0V	2.1V	2.0V	3.8V
Cont. Forward Current (max):	30mA	30mA	20mA	30mA
Power Dissipation (max) @ 20°C Ambient:	100mW	100mW	85mW	120mW
Reverse Current:	10µA	10µA	10µA	50µA
Reverse Voltage:	5V (max)			
Part No:	/RD	/GN	/YL	/BL



### PART NO BREAKDOWN

**DXxxxx / xx / xx**



**Example:**  
 DX1092/RD/02 = Black Aluminum IP66 Prominent Bezel, with Red flashing LED