

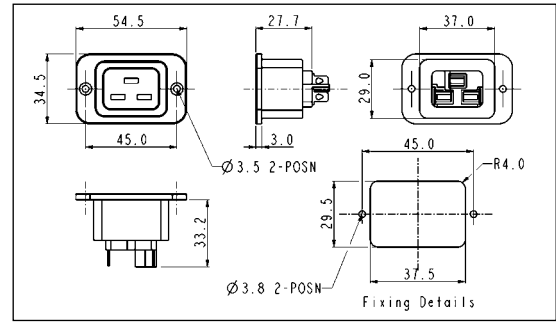
EN60 320-2-2 Standard Sheet J Class I Cold Condition

FLANGE MOUNT OUTLET



PX0591/63

- Flange Mounting
- 6.3mm Tabs
- 16A, 250V a.c. (20A, 250V a.c., UL & CSA)

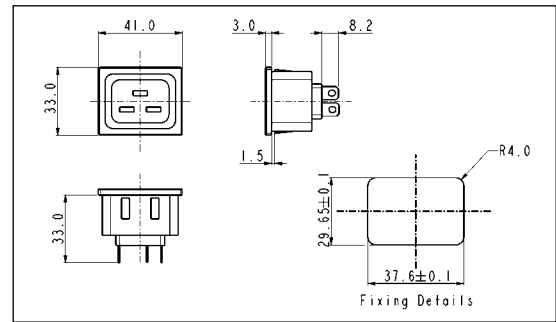


SNAP FIT TO PANEL OUTLET



PX0592/15/63

- Snap Fit to Panel
- Panel Size 1.5mm
- 6.3mm Tabs
- 16A, 250V a.c. (20A, 250V a.c., UL & CSA)

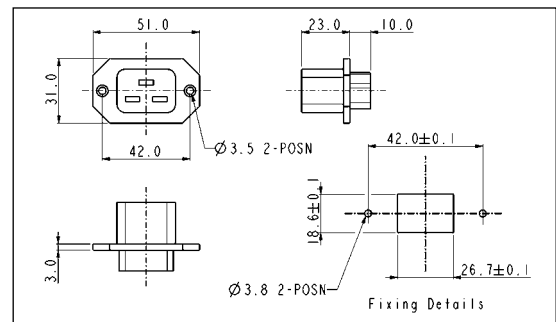


FLANGE MOUNT OUTLET



PX0593/63

- Flange Mounting (front of panel)
- 4.8 & 6.3mm Tabs
- 16A, 250V a.c. (20A, 250V a.c., UL & CSA)



Specification	PX0591/Termination	PX0592/15/Termination	PX0593/Termination
Fixing:	Flange	Snap fit, 1.5mm accommodation	Flange
Terminations:	/63 (6.3mm tab)	/63 (6.3mm tab)	/63 (6.3mm tab)
Max. Rating:	16A, 250V a.c. (UL & CSA 20A, 250V a.c.)	16A, 250V a.c. (UL & CSA 20A, 250V a.c.)	16A, 250V a.c. (UL & CSA 20A, 250V a.c.)
Insulation Resistance:	>100MΩ (250V, 1 min.)	>100MΩ (250V, 1 min.)	>100MΩ (500V, 1 min.)
Dielectric Strength:	2kV (50Hz, 1 min.)	2kV (50Hz, 1 min.)	2kV (50Hz, 1 min.)
Operating Temp. Range:	-40°C to +70°C	-40°C to +70°C	-40°C to +70°C
Max. Pin Temp.:	-	-	-
Mouldings:	P.B.T., Flammability Rating UL94V-0	Nylon, Flammability Rating UL94V-0	PBT, Flammability Rating UL94V-0
Contacts:	Brass, Tin Plated	Brass, Tin Plated	Brass, Tin Plated
Approvals:			
Accessories / Notes:	-	-	-
Mates with:	-	-	-
<b>RoHS</b>	Compliant	Compliant	Compliant